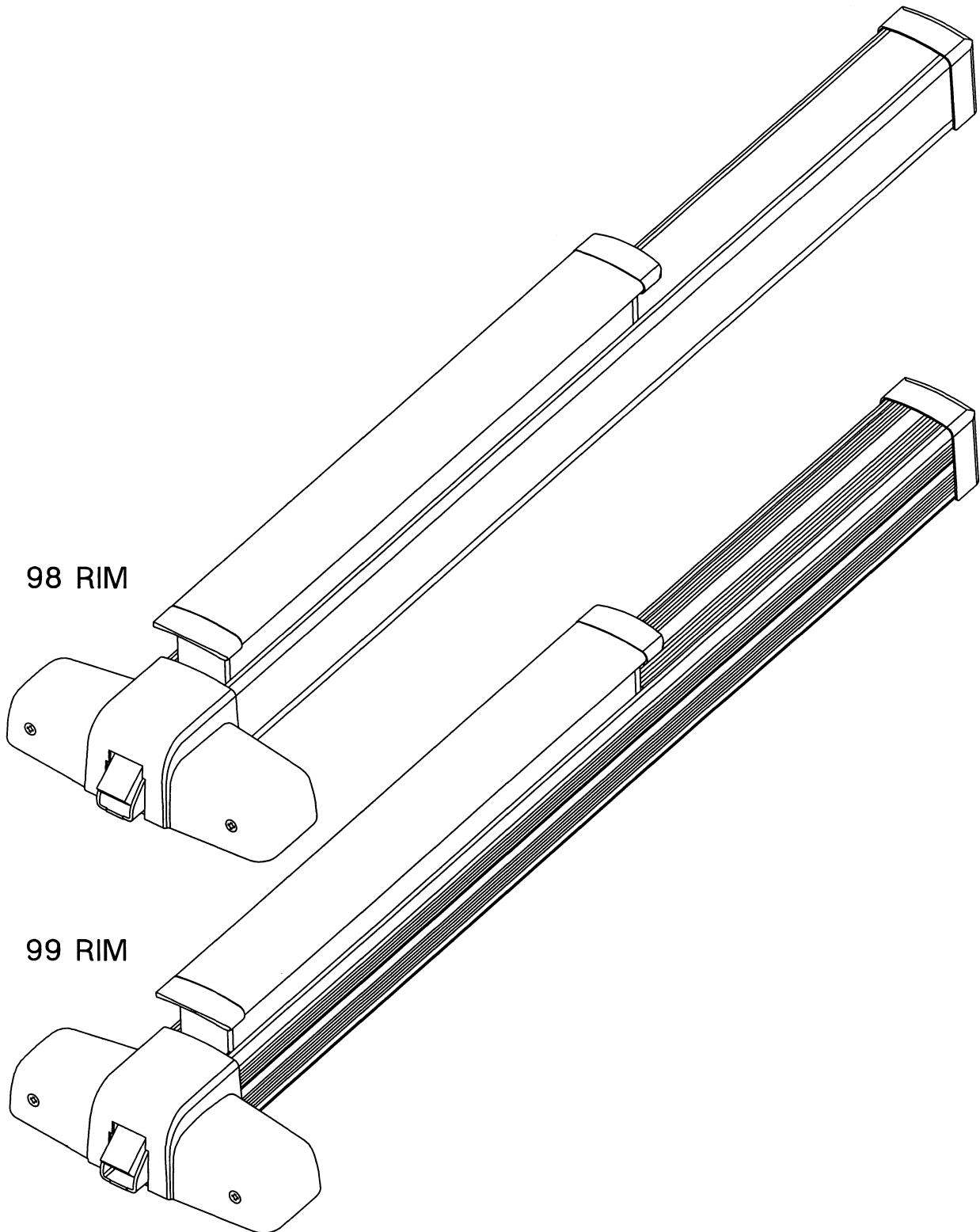


VON DUPRIN

PARTS MANUAL

MARCH 1999

98/99 SERIES RIM DEVICES



INDEX

98/99 Rim Panic Devices

Basic Device	4
Center Case Assembly.....	10
Baseplate Assembly.....	8
Variations to the Basic Device:	
CD (Cylinder Dogging).....	4
Double Cylinder ("–2").....	15
E (Electric Locking).....	16
EL (Electric Latch Retraction).....	11
RX (Request to Exit).....	13
LX (Latch Bolt Monitoring).....	14
SS (Signal Switch).....	12

98/99–F Rim Fire Exit Hardware

Basic Device	6
Center Case Assembly.....	10
Baseplate Assembly.....	9
Variations to the Basic Device:	
Double Cylinder ("–2").....	15
E (Electric Locking).....	16
EL (Electric Latch Retraction).....	11
RX (Request to Exit).....	13
LX (Latch Bolt Monitoring).....	14
SS (Signal Switch).....	12

General Information

How to Order	2
Finishes	3
Outside Trim Functions	3
Strikes.....	3

INTRODUCTION

This Manual contains a listing of replaceable parts and assemblies for the 98/99 Rim Panic and Fire Exit Hardware Devices. (98 Series and 99 Series devices are almost identical. The 99 Series has a grooved case; the 98 Series has a smooth case.)

HOW TO ORDER

Some parts are sold separately. Other items are available as part of an assembly. For the best possible service when ordering replacement parts or assemblies, please provide the following information:

- Part or Assembly number
- Description
- Quantity needed
- Finish desired (if available finished)
- Date of original purchase, if known

To find out the name of your local Von Duprin distributor or sales representative, contact:

Von Duprin Division
Ingersoll–Rand Company
2720 Tobey Drive
Indianapolis, Indiana 46219
Phone: (800) 999–0408
Fax: (800) 999–0328


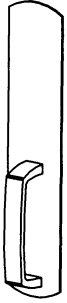
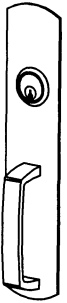


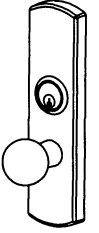
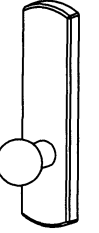
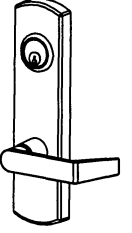
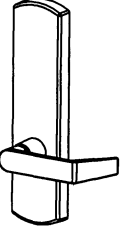
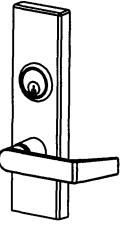
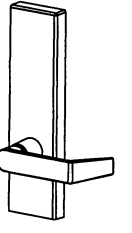
PART NUMBER CHANGES

This manual reflects the product as sold in March 1999. Because of changes to the product and/or manufacturing process, part numbers can change.

98/99 SERIES FINISHES

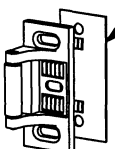
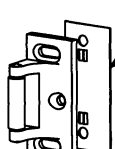
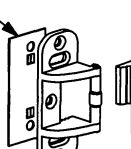
U.S. Std. Reference	BHMA Reference	Description
US3	605	Polished Brass
US4	606	Dull Brass
US10	612	Dull Bronze
US26	625	Polished Chrome
US26D	626	Dull Chrome
US28	628	Anodized Alum. (Clear)
US32D	630	Satin Stainless Steel
313AN	710	Anodized Alum. (313) Dark Bronze
US19	711	Anodized Alum. (Black)

OUTSIDE TRIM FUNCTIONS

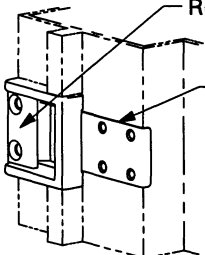
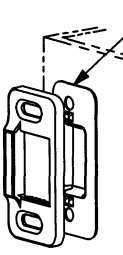
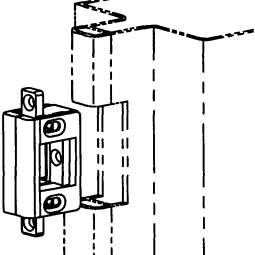
990EO 	990DT 	990NL 	990TP 			
990TP-BE* 	991K 	991K-BE* 	992L 	992L-BE* 	994L 	994L-BE* 
	991K-NL**	991K-DT***	992L-NL**	992L-DT***	994L-NL**	994L-DT***

- * "BE" (Blank Escutcheon) no cylinder used - lever or knob always active
- ** "NL" (Night Latch) rigid lever or knob - key retracts latch bolt
- *** "DT" (Dummy Trim) rigid lever or knob for pull operation

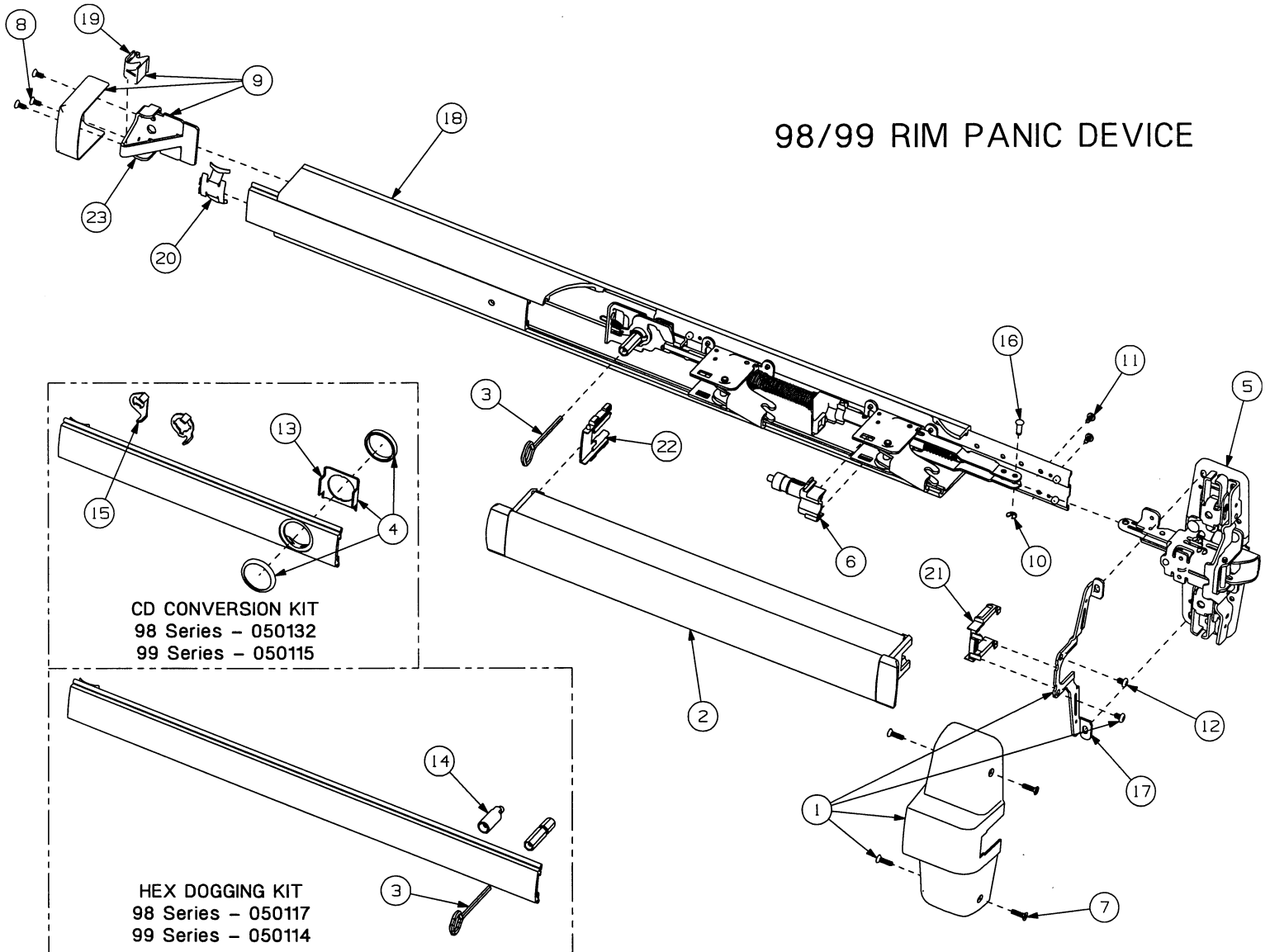
STANDARD STRIKES

 <p>Adjusting Shim 945521 Shim-299 970321</p> <p>299 Strike - Standard Single or Double Door Panic Exit Hardware</p>	 <p>Adjusting Shim 945521</p> <p>299F Strike - Single Door Fire Exit Hardware</p>	 <p>Adjusting Shim 945521</p> <p>Strike Hook 969300</p> <p>499F Strike - Double Door w/Mullion Fire Exit Hardware</p>
---	--	--

OPTIONAL STRIKES FOR PANIC EXIT HARDWARE

 <p>Retainer Wear Plate</p> <p>1409 Strike - Single Door</p>	 <p>Adjusting Shim 961084</p> <p>1606 Strike - Single or Double Door</p>	 <p>1408 Strike - Double Door</p>
---	---	--

98/99 RIM PANIC DEVICE

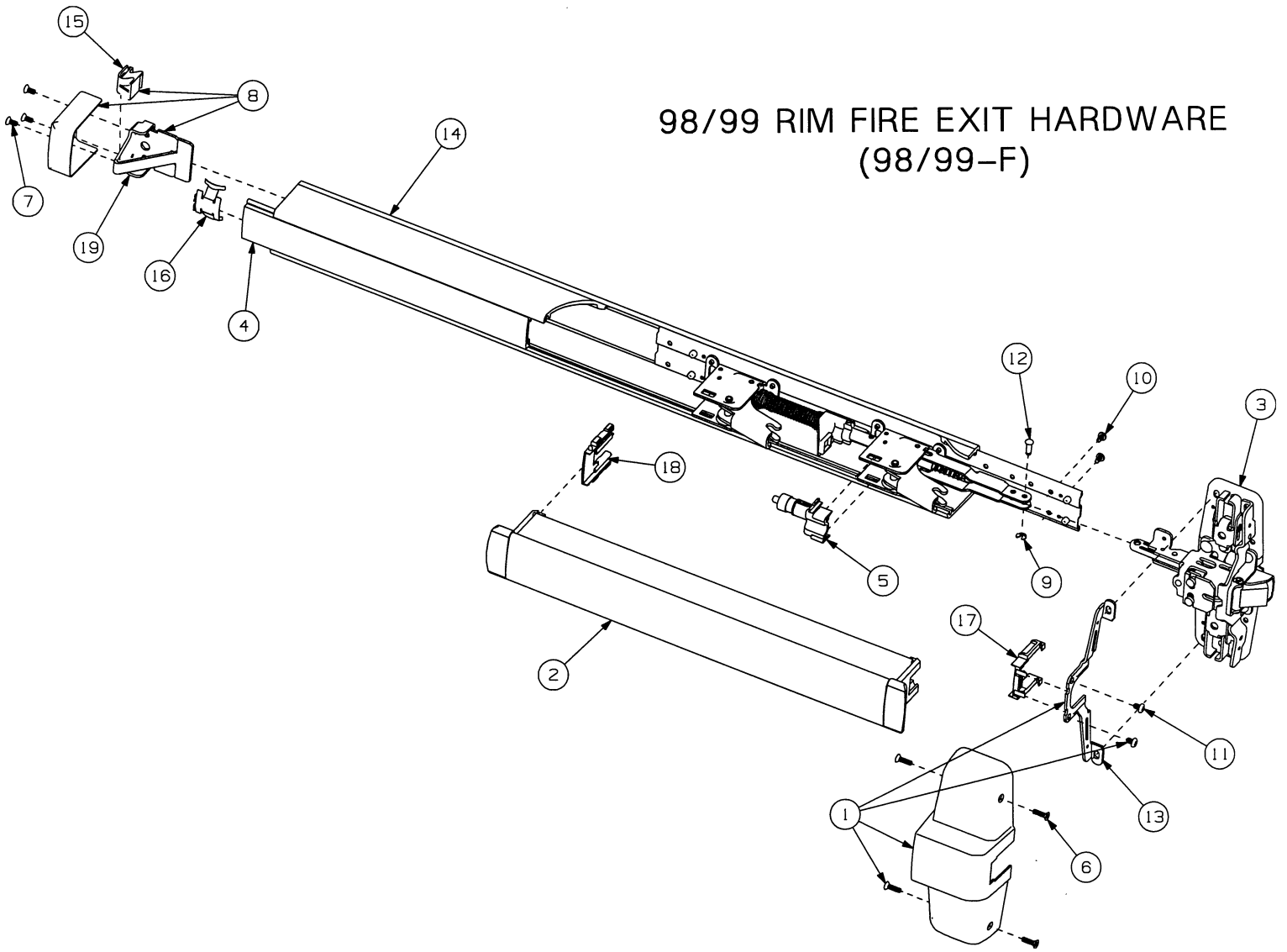


98/99 RIM PANIC DEVICE

ITEM NO.	QTY	PART NO.	DESCRIPTION	FINISH
	1	900561	98/99 R&M Mounting Package (1-3/4 & 2-1/4)	
1	1	050071	98/98-F & 99/99-F Center Case Cover Kit	X
2	1	050160	98/99 Series Push Bar Retrofit Kit - 3' Door	X
2	1	050161	98/99 Series Push Bar Retrofit Kit - 4' Door	X
3	1	090085	227 Dog Key 5/32" Hex (Pack of 10)	
4	1	107813	98/99 Series Cylinder Mtg. Hardware Assembly	X
5	1	110831	98/99 Rim Center Case Less Cover	
6	1	112727	Shock Absorber & Holder Assembly	
7	1	900892	98/99 Center Case Cover Screw Pkg. (Pack of 4)	X
8	1	900901	Mechanism End Cap Screw Pkg. (Pack of 3)	X
9	1	900905	98/99 Series End Cap and Bracket Assembly	X
10	1	964066	Retaining Ring	
11	2	964390	#8-32 x 5/16" PPHMS	
12	2	964166	#12-24 x 1/2" PPHMS T/Cut	
12	2	964242	Attaching Clip (Alternate)	
13	1	967032	Cylinder Locking Washer - CD/SS	
14	1	968112	33/99 Series Hex Dog Shaft	
15	1	968116	33/99 Series CD Actuator Arm	
16	1	969520	Control Link Pin	
17	1	969864	Center Case Cover Bracket	
18	1	970191	98 Mechanism Case - 3' Door	X
18	1	970192	98 Mechanism Case - 4' Door	X
18	1	968144	99 Mechanism Case - 3' Door	X
18	1	968146	99 Mechanism Case - 4' Door	X
19	1	970548	Cover Plate Stop - End Cap	
20	1	970719	Cover Plate Anti-rattle Spring	
21	1	971065	Touch Bar Guide - Center Case	
22	1	971066	Touch Bar Guide - Cover Plate	
23	1	971486	Mechanical End Cap Bracket	

X DESIGNATES FINISHED ITEMS AND FINISH MUST BE SPECIFIED WHEN ORDERING

98/99 RIM FIRE EXIT HARDWARE (98/99-F)



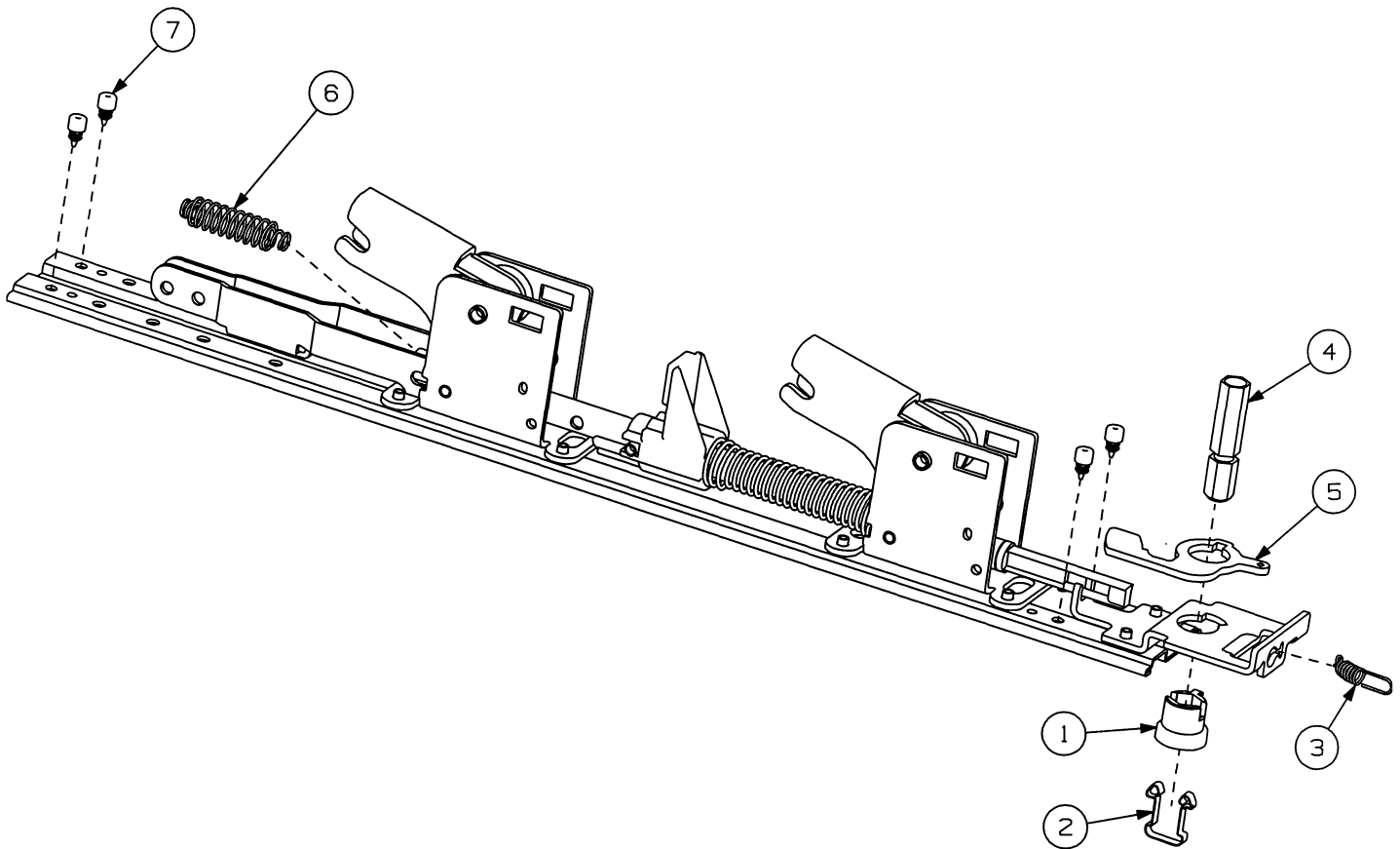
98/99 RIM FIRE EXIT HARDWARE (98/99-F)

ITEM NO.	QTY	PART NO.	DESCRIPTION	FINISH
	1	900561	98/99 R&M Mounting Package (1-3/4 & 2-1/4)	
1	1	050071	98/98-F & 99/99-F Center Case Cover Kit	X
2	1	050160	98/99 Series Push Bar Retrofit Kit - 3' Door	X
2	1	050161	98/99 Series Push Bar Retrofit Kit - 4' Door	X
3	1	111192	98/99 Rim FEH Center Case Assembly	
4	1	111555	98-F Series Cover Plate - 3' Door	X
4	1	111556	98-F Series Cover Plate - 4' Door	X
4	1	110675	99-F Series Cover Plate - 3' Door	X
4	1	110683	99-F Series Cover Plate - 4' Door	X
5	1	112727	Shock Absorber & Holder Assembly	
6	1	900892	98/99 Center Case Cover Screw Pkg. (Pack of 4)	X
7	1	900901	Mechanism End Cap Screw Pkg. (Pack of 3)	X
8	1	900905	98/99 Series End Cap and Bracket Assembly	X
9	1	964066	Retaining Ring	
10	2	964390	#8-32 x 5/16" PPHMS	
11	2	964166	#12-24 x 1/2" PPHMS T/Cut	
11	2	964242	Attaching Clip (Alternate)	
12	1	969520	Control Link Pin	
13	1	969864	Center Case Cover Bracket	
14	1	970191	98 Mechanism Case - 3' Door	X
14	1	970192	98 Mechanism Case - 4' Door	X
14	1	968144	99 Mechanism Case - 3' Door	X
14	1	968146	99 Mechanism Case - 4' Door	X
15	1	970548	Cover Plate Stop - End Cap	
16	1	970719	Cover Plate Anti-rattle Spring	
17	1	971065	Touch Bar Guide - Center Case	
18	1	971066	Touch Bar Guide - Cover Plate	
19	1	971486	Mechanical End Cap Bracket	

X DESIGNATES FINISHED ITEMS AND FINISH MUST BE SPECIFIED WHEN ORDERING

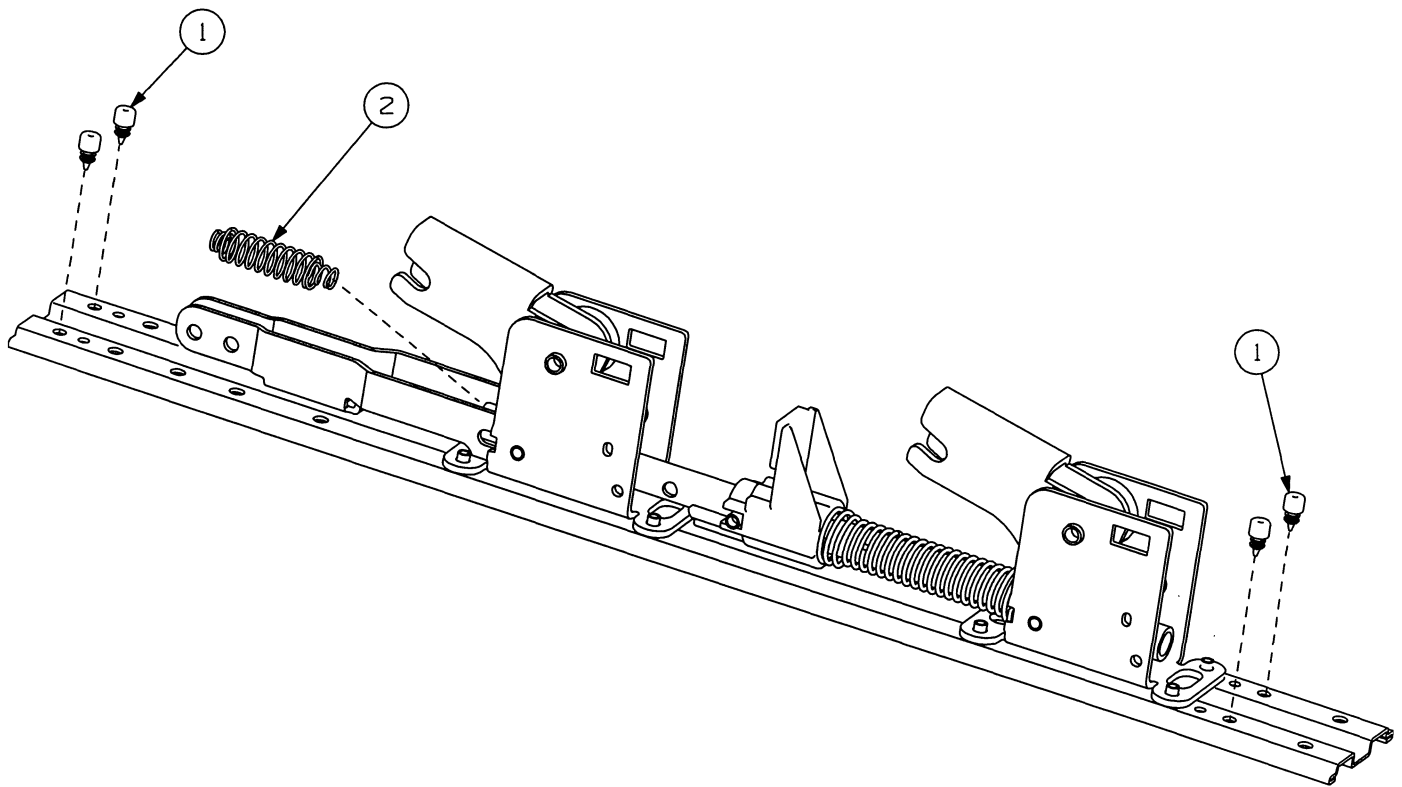
PANIC DEVICE BASEPLATE ASSEMBLY

ITEM NO.	QTY	PART NO.	DESCRIPTION	FINISH
1	1	971495	Dogging Adaptor	
2	1	971494	Dogging Adaptor Spring	
3	1	971493	Dogging Spring	
4	1	971492	Hex Dogging Shaft	
5	1	971491	Dogging Hook	
6	1	971351	Latch Return Spring	
7	4	971308	Rubber Bumper	



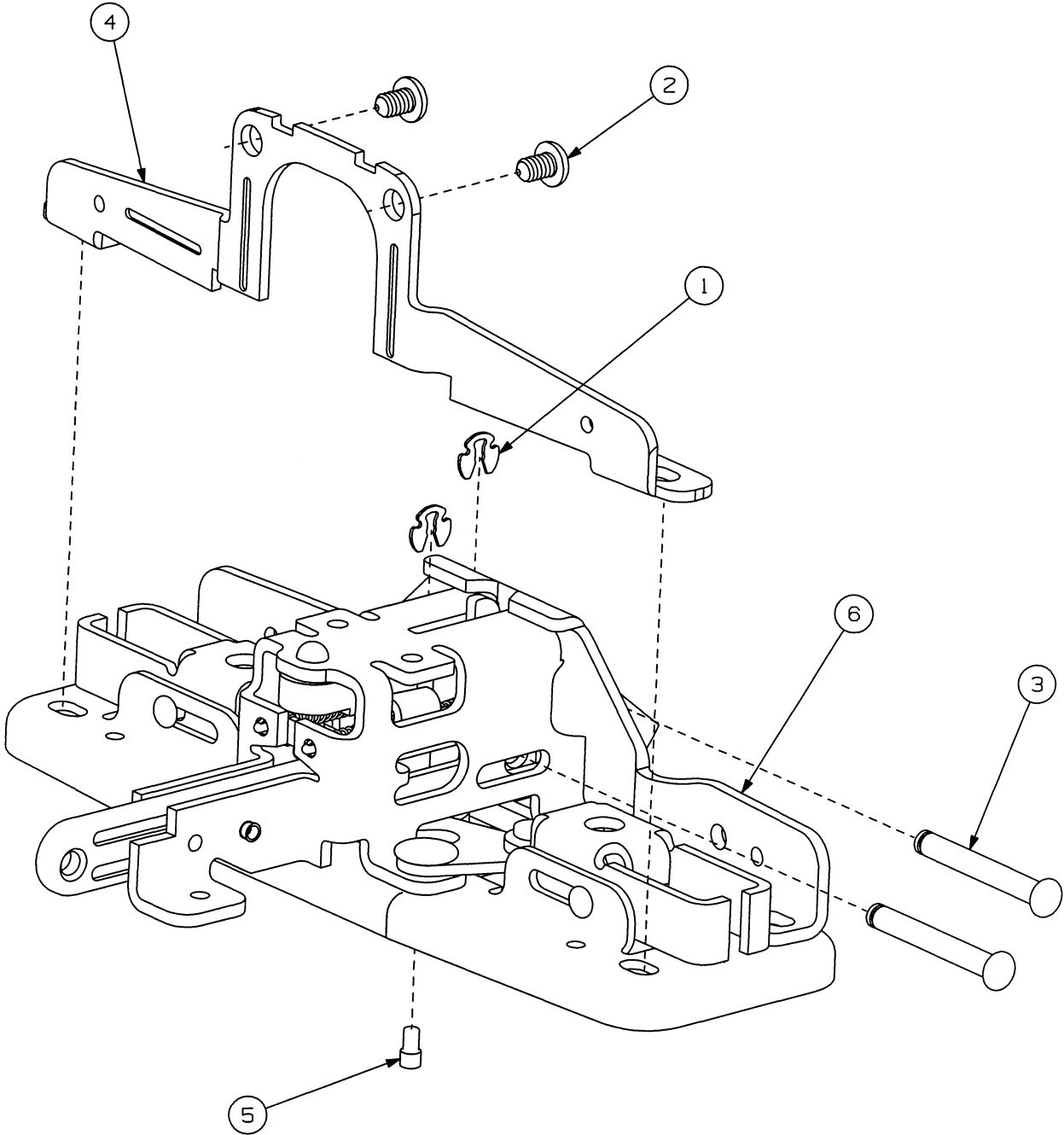
FIRE DEVICE BASEPLATE ASSEMBLY

ITEM NO.	QTY	PART NO.	DESCRIPTION	FINISH
1	4	971308	Rubber Bumper	
2	1	971351	Latch Return Spring	



CENTER CASE ASSEMBLY

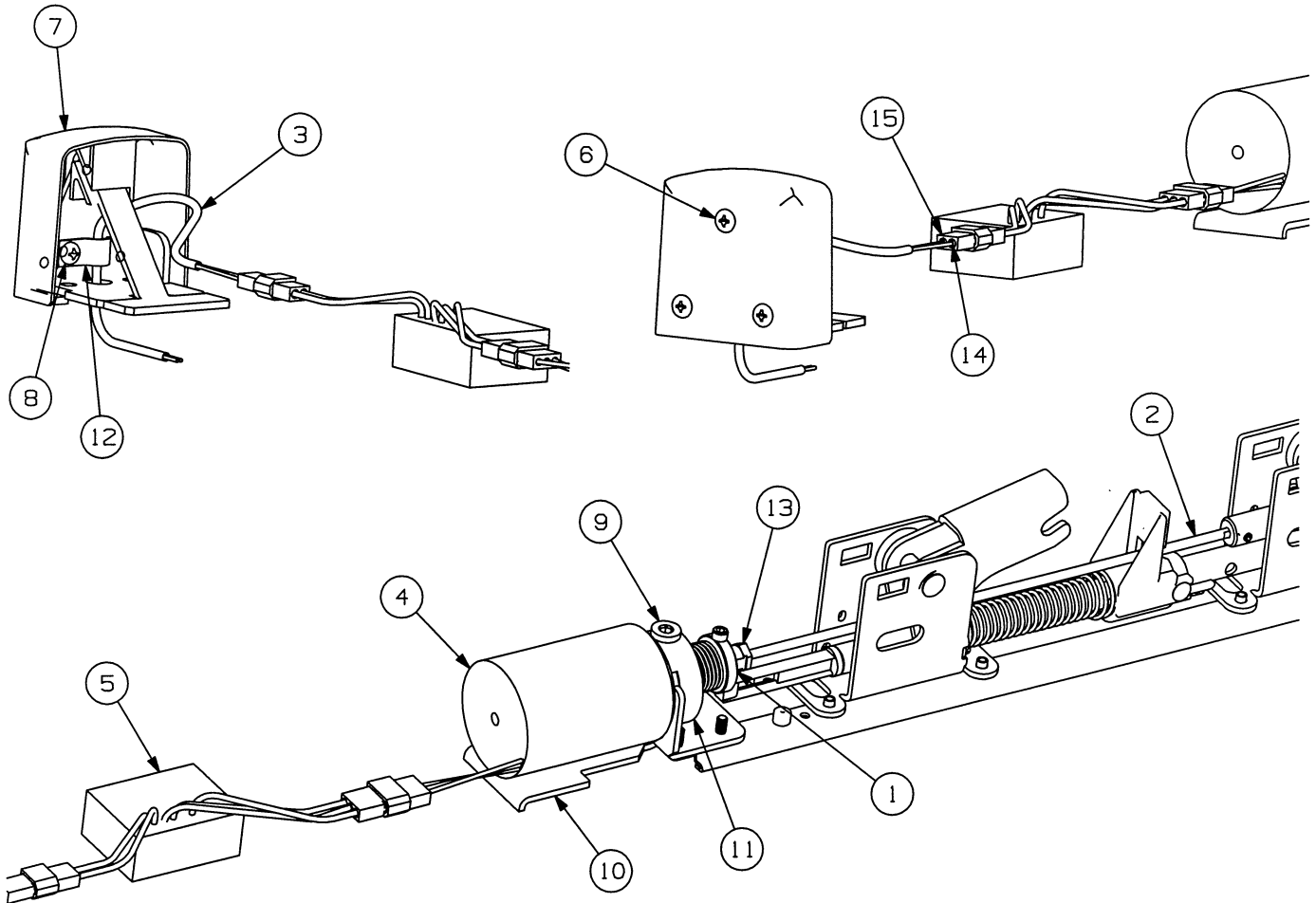
ITEM NO.	QTY	PART NO.	DESCRIPTION	FINISH
1	2	964066	Retaining Ring	
2	2	964166	#12-24 x 1/2" PPHMS T/Cut	
2	2	964242	Attaching Clip (Alternate)	
3	2	969467	Latchbolt Pin	
4	1	969864	Center Case Cover Bracket	
5	1	970441	NL Drive Screw	
6	1	971638	98/99 Reinforcing Bracket	



EL98/99 & EL98/99-F ELECTRIC LATCH RETRACTION OPTION

ITEM NO.	QTY	PART NO.	DESCRIPTION	FINISH
1	1	109041	Plunger - EL Solenoid	
2	1	110007	EL Dogging Rod Assembly - 3' Device	
2	1	110008	EL Dogging Rod Assembly - 4' Device	
3	1	110388	EL 6' Cable and Connector	
4	1	110740	EL Solenoid and Connector Assembly	
5	1	110741	Potted Circuit Breaker (EL Solenoid)	
6	1	900901	Mechanism End Cap Screw Pkg. (Pack of 3)	X
7	1	900905	98/99 Series End Cap and Bracket Assembly	X
8	1	963943	EL Cable Clamp Screw	
9	1	966897	EL Dog Screw (Omit on FEH Device)	
10	1	969235	Solenoid Bracket - EL Device	
11	1	969244	EL Dog Spring (Omit on FEH Device)	
12	1	970549	EL Cable Clamp	
13	1	971326	Dogging Rod Retainer	
14	2	990592	Female Terminal - EL/SS/E & SS7500	
15	1	990598	EL Receptacle Connector	

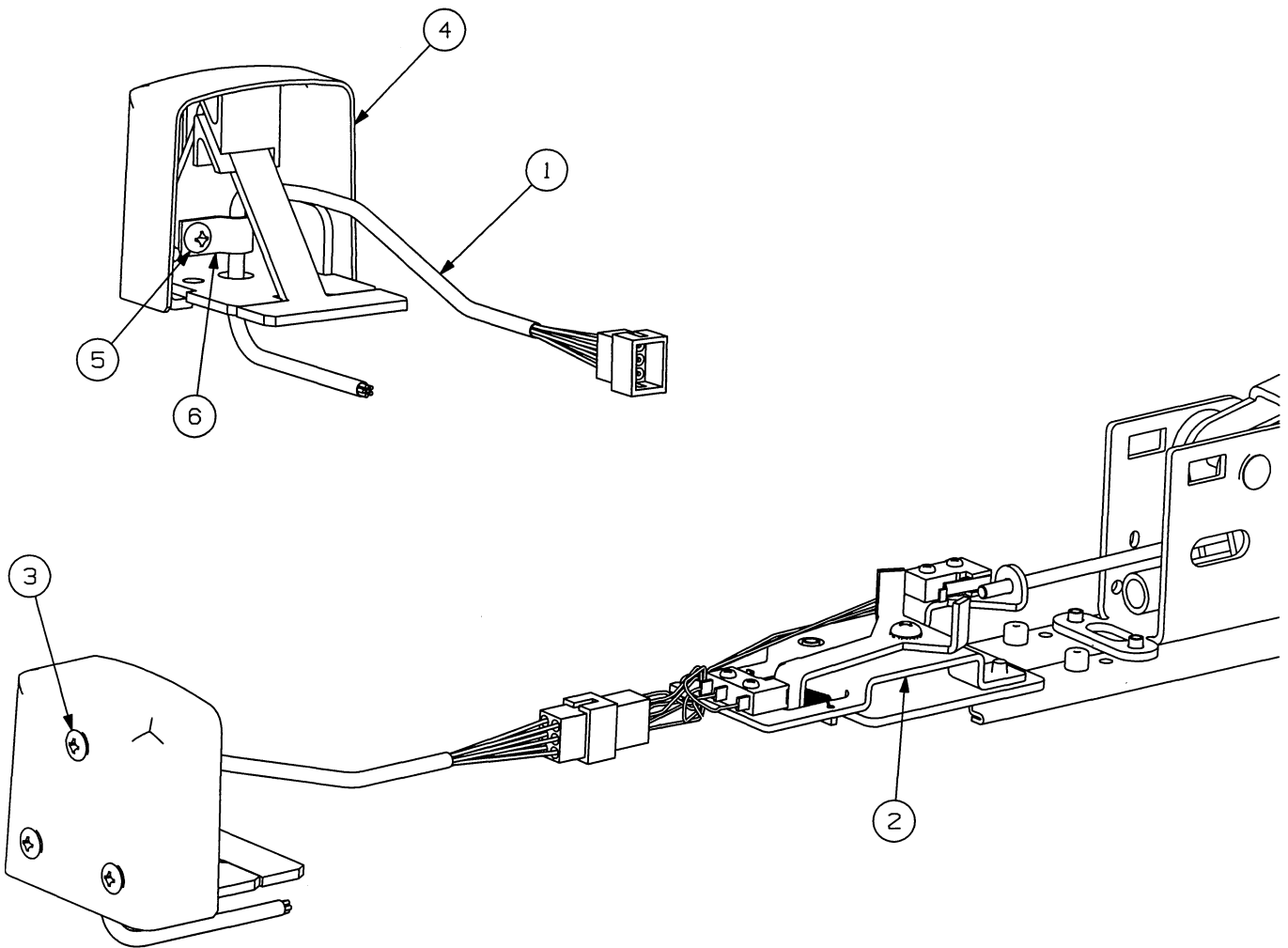
X DESIGNATES FINISHED PART AND FINISH MUST BE SPECIFIED WHEN ORDERING



SS98/99 & SS98/99-F (SIGNAL SWITCH) OPTION

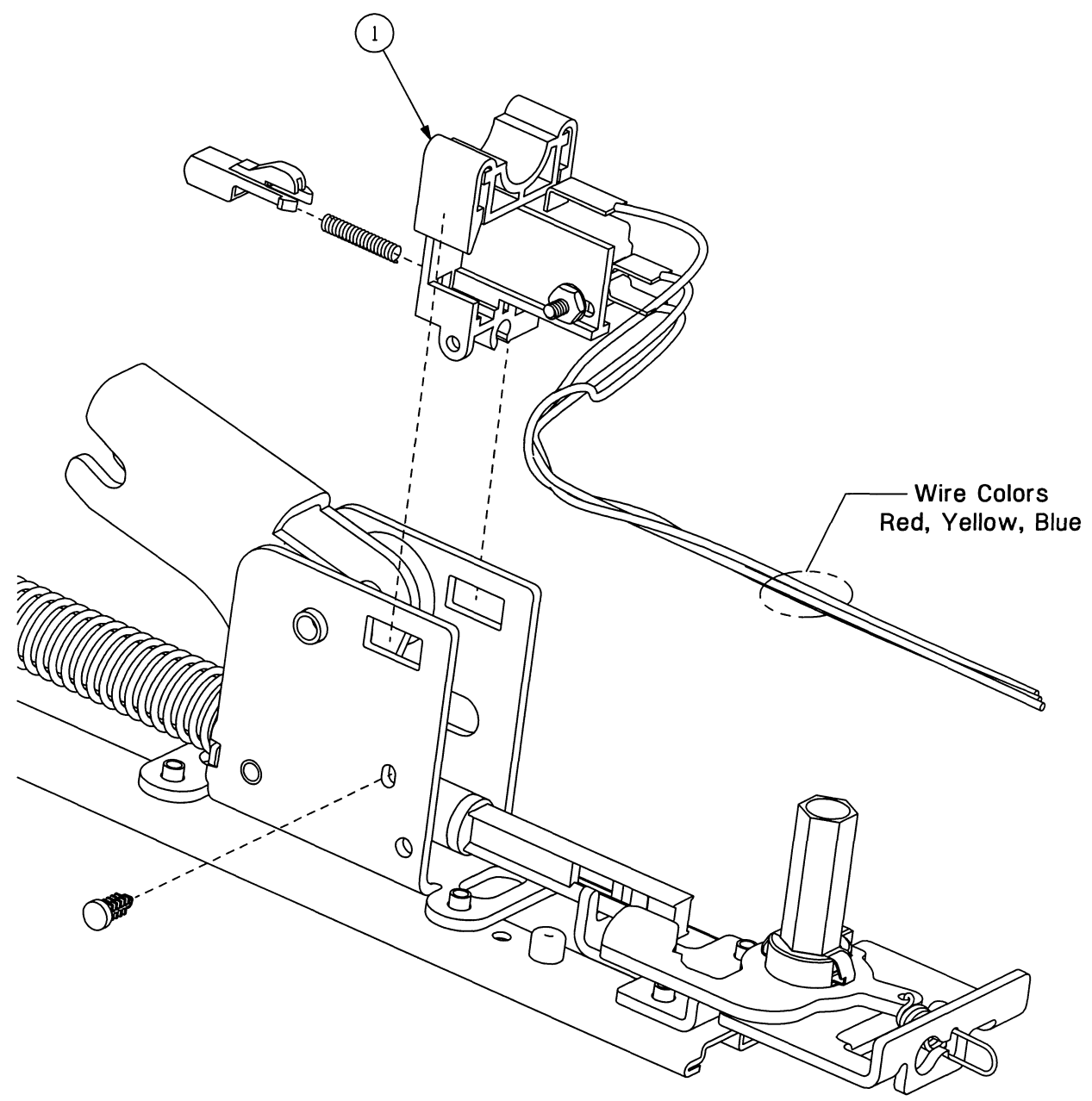
ITEM NO.	QTY	PART NO.	DESCRIPTION	FINISH
1	1	110472	SS Cable Assembly	
2	1	110658	SS Housing Assembly	
3	1	900901	Mechanism End Cap Screw Pkg. (Pack of 3)	X
4	1	900905	98/99 Series End Cap and Bracket Assembly	X
5	1	963943	#8-32 x 1/4" PPHMS	
6	1	970549	EL Cable Clamp	

X DESIGNATES FINISHED PARTS AND FINISH MUST BE SPECIFIED WHEN ORDERING



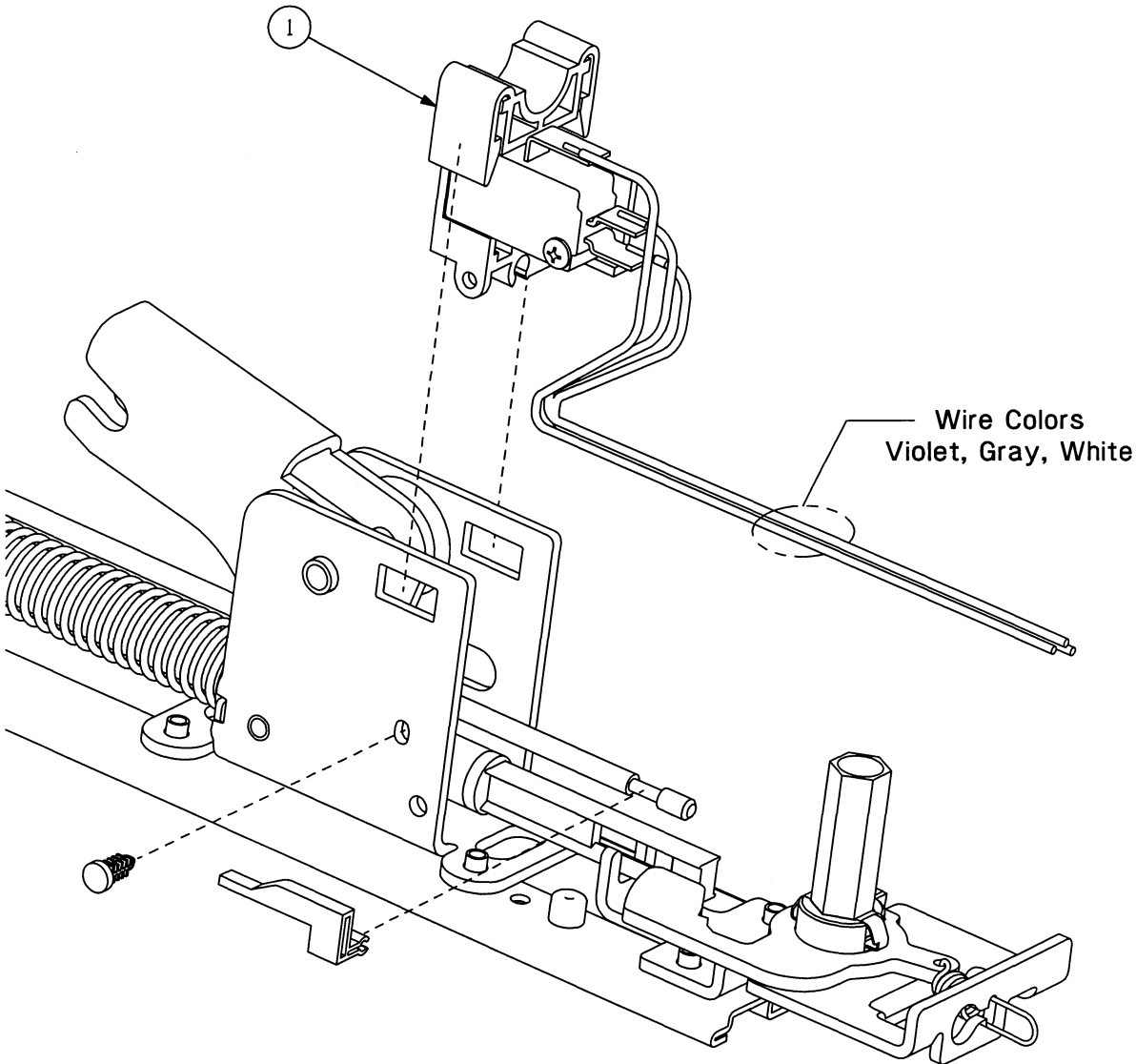
98/99 RX (REQUEST TO EXIT) OPTION

ITEM NO.	QTY	PART NO.	DESCRIPTION	FINISH
1	1	050251	RX/S1 Switch Option (shown)	
1	1	050256	RX/LX Switch Kit 3'0 Device	
1	1	050257	RX/LX Switch Kit 4'0 Device	
1	1	050259	RX/LX-EL Switch Kit	



98/99 LX (LATCH BOLT MONITORING) OPTION

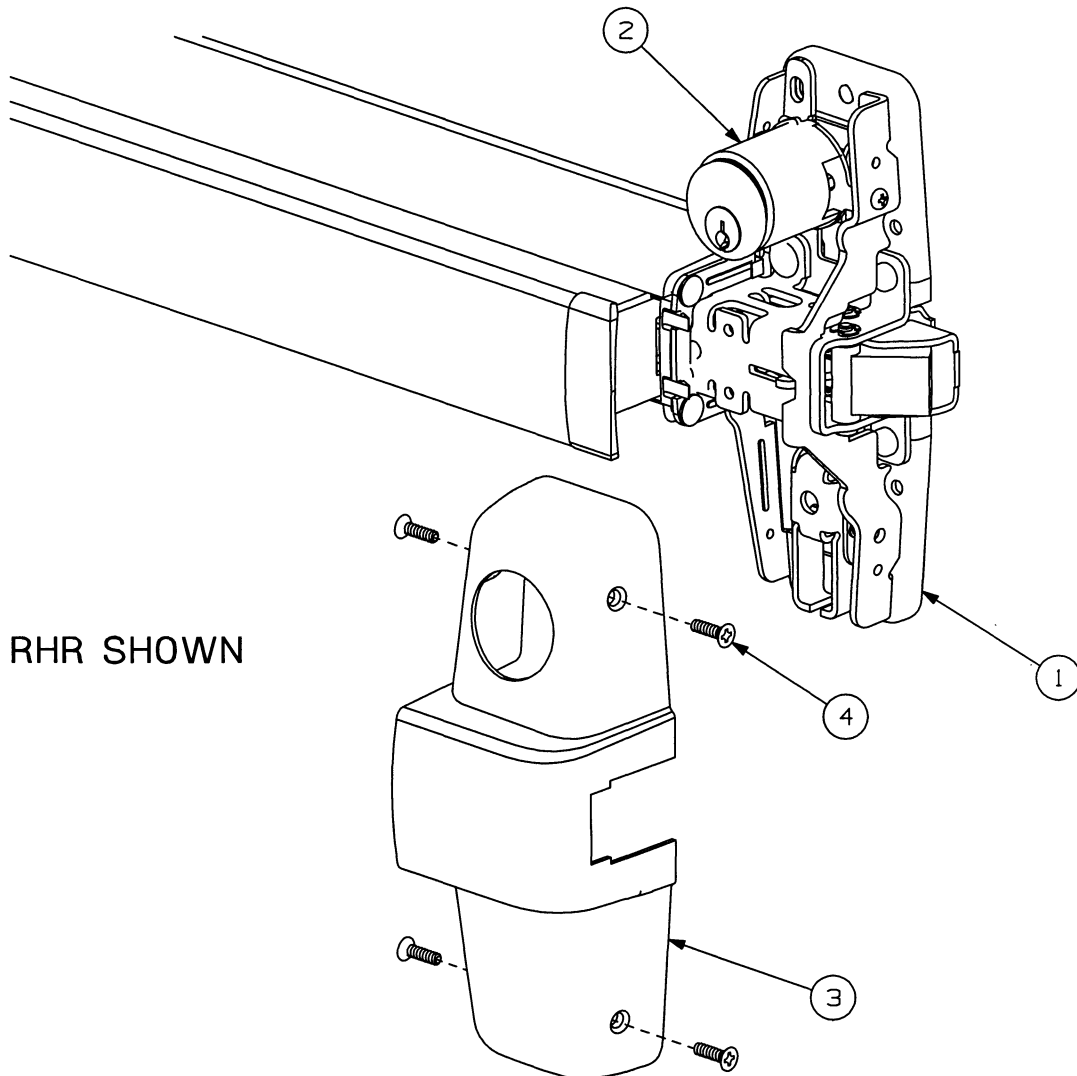
ITEM NO.	QTY	PART NO.	DESCRIPTION	FINISH
1	1	050254	LX Switch Kit 3'0 Device (shown)	
1	1	050255	LX Switch Kit 4'0 Device	
1	1	050247	LX-EL Switch Kit	
1	1	050256	RX/LX Switch Kit 3'0 Device	
1	1	050257	RX/LX Switch Kit 4'0 Device	
1	1	050259	Rx/LX-EL Switch Kit	



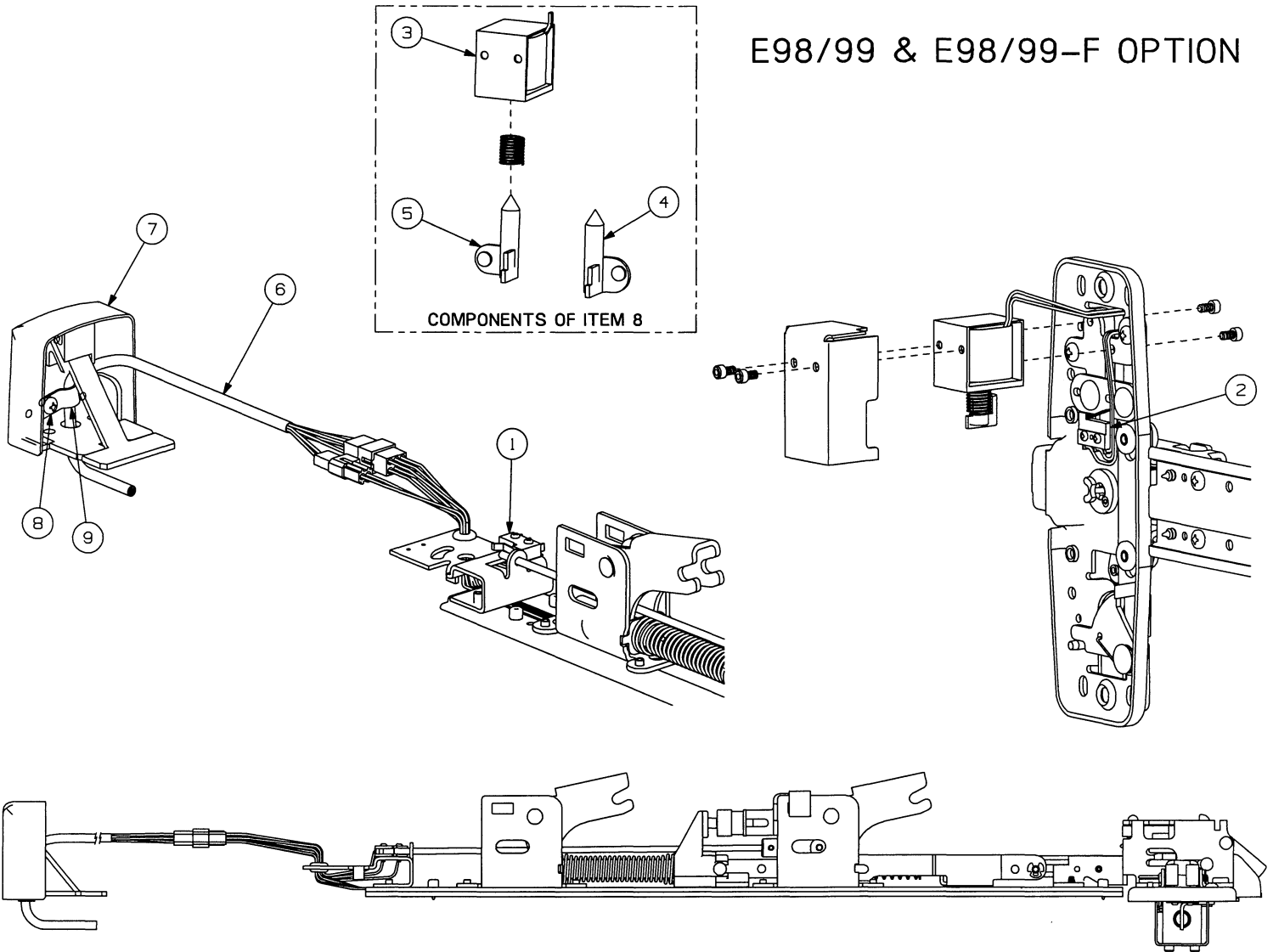
98/99-2 & 98/99-F-2 DOUBLE CYLINDER OPTION

ITEM NO.	QTY	PART NO.	DESCRIPTION	FINISH
1	1	110841	98/99-2 RHR Center Case Less Cover	
1	1	110842	98/99-2 LHR Center Case Less Cover	
1	1	111300	98/99-F-2 RHR Center Case Less Cover	
1	1	111301	98/99-F-2 LHR Center Case Less Cover	
2	1	113098	98/99 Rim Double Cylinder Adaptor Assembly - LH	X
2	1	113099	98/99 Rim Double Cylinder Adaptor Assembly - RH	X
3	1	969836	98/99-2 One Piece Cover RHR for US32D, US26	X
3	1	969837	98/99-2 One Piece Cover RHR for US10	X
3	1	969838	98/99-2 One Piece Cover LHR for US32D, US26	X
3	1	969839	98/99-2 One Piece Cover LHR for US10	X
3	1	970086	98/99-2 One Piece Cover RHR for US3, US4, US26D	X
3	1	970087	98/99-2 One Piece Cover RHR for US28, 313AN, 622	X
3	1	970088	98/99-2 One Piece Cover LHR for US3, US4, US26D	X
3	1	970089	98/99-2 One Piece Cover LHR for US28, 313AN, 622	X
4	1	900892	98/99 Center Case Cover Screw Pkg. (Pack of 4)	X

X DESIGNATES FINISHED PARTS AND FINISH MUST BE SPECIFIED WHEN ORDERING



E98/99 & E98/99-F OPTION



E98/99 & E98/99-F RIM (ELECTRIC LOCKING) OPTION

ITEM NO.	QTY	PART NO.	DESCRIPTION	FINISH
1	1	106224	Subminiature Switch Assembly	
2	1	109659	Switch Wiring Assembly (V/G/W Wires)	
3	1	110389	E98/99 Rim Solenoid	
4	1	110392	E98/99 Solenoid Plunger - FSE RH	
4	1	110390	E98/99 Solenoid Plunger - FSE LH	
5	1	110393	E98/99 Solenoid Plunger - FS RH	
5	1	110391	E98/99 Solenoid Plunger - FS LH	
6	1	110867	Signal Cable Assembly	
7	1	900905	98/99 Series End Cap and Bracket Assembly	X
8	1	963943	#8-32 x 1/4" PPHMS	
9	1	970549	EL Cable Clamp	

X DESIGNATES FINISHED ITEMS AND FINISH MUST BE SPECIFIED WHEN ORDERING

Von Duprin Division
Ingersoll-Rand Company
2720 Tobey Drive
Indianapolis, Indiana 46219
Phone: (800) 999-0408
Fax: (800) 999-0328